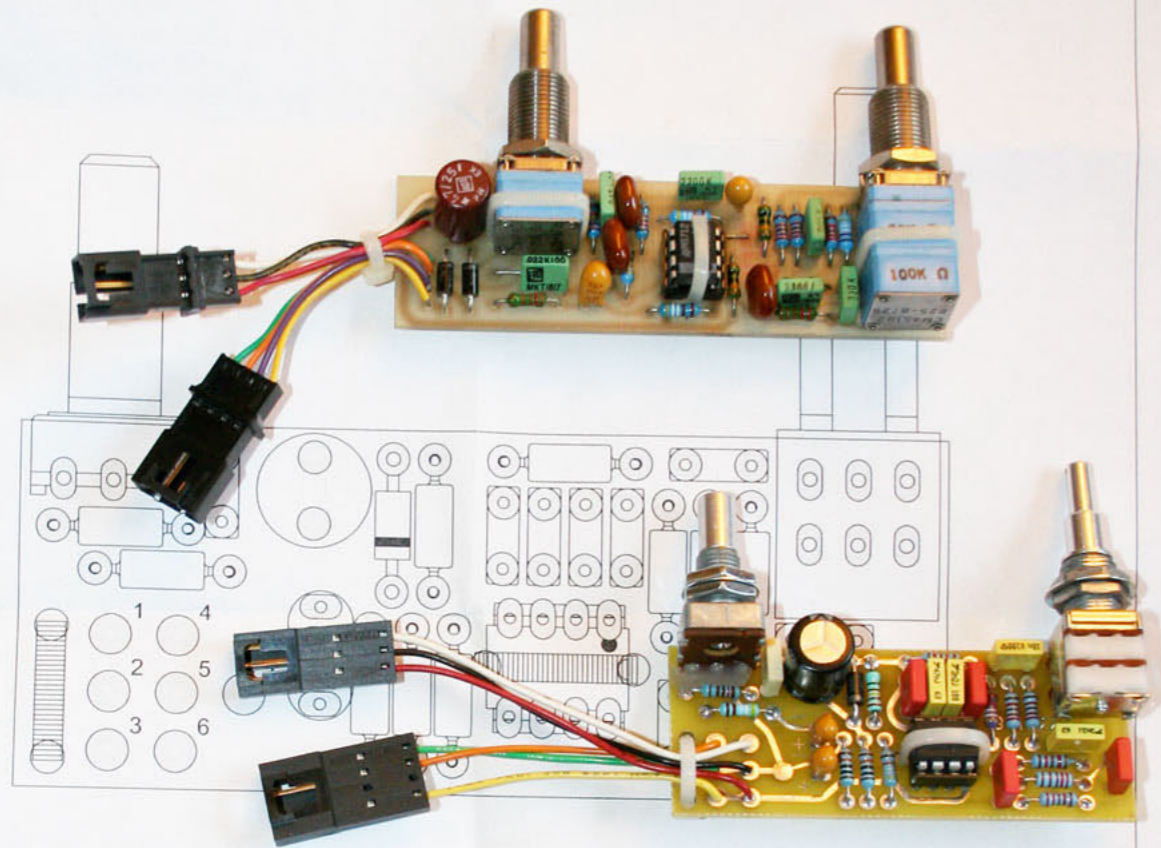
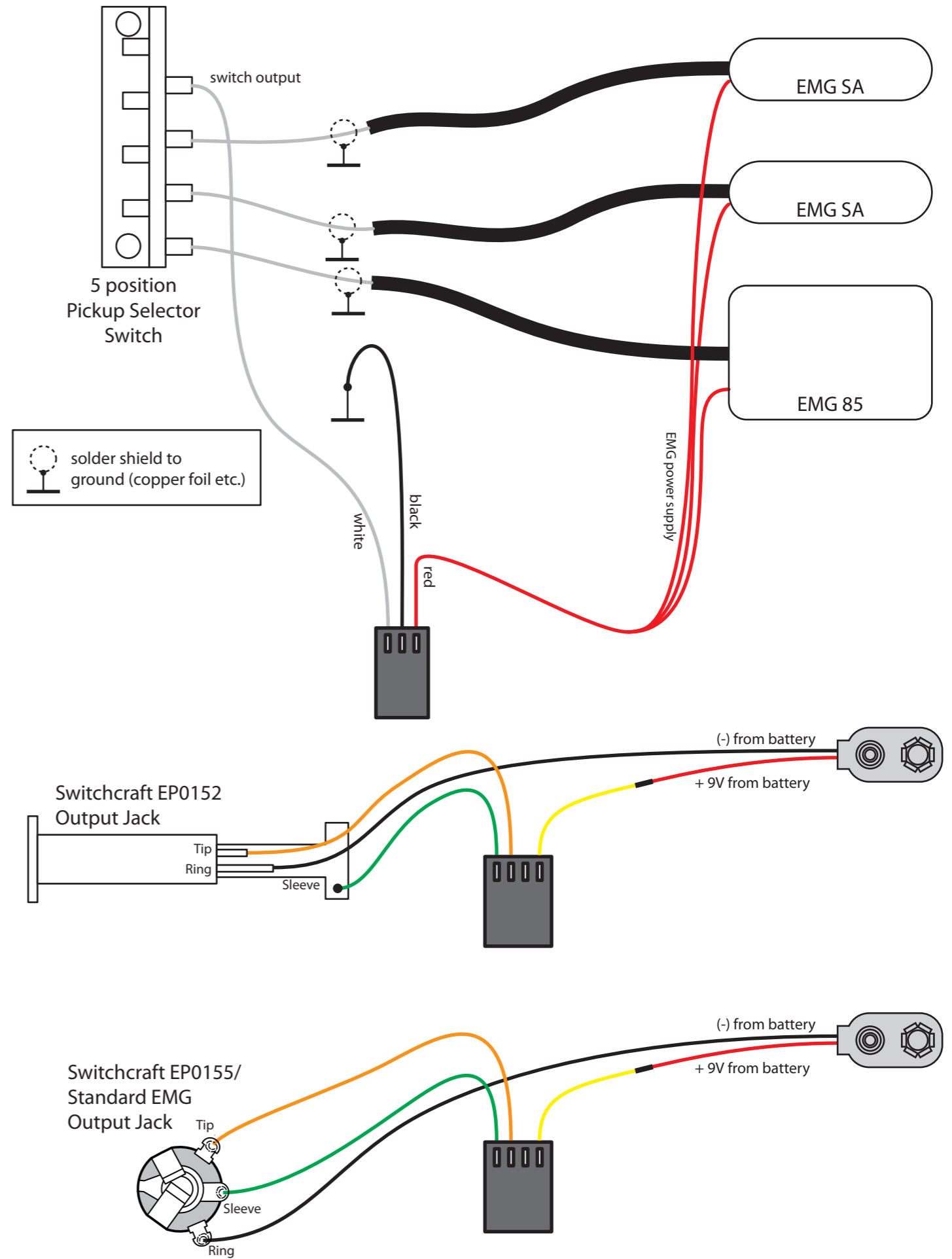


Steinberger Sound Wiring diagram for active guitar



- 1 Jack tip {orange}
- 2 Jack sleeve {green}
- 3 +9V {yellow} [-9V goes to jack ring]
- 4 Pick-up signal (inner conductor) {white}
- 5 Pick-up ground {black}
- 6 +9V for active pick-up (if used) {red}
- 7 Bridge ground (if used)



Connecting HazLabs Connectors to a Steinberger Guitar